



LEFROY BROOKS

1 8 2 8 T R O U T M A N S T R E E T
R I D G E W O O D N E W Y O R K N Y 1 1 3 8 5 U S A
T: +1(718) 302 5292 F: +1(718) 302 4177

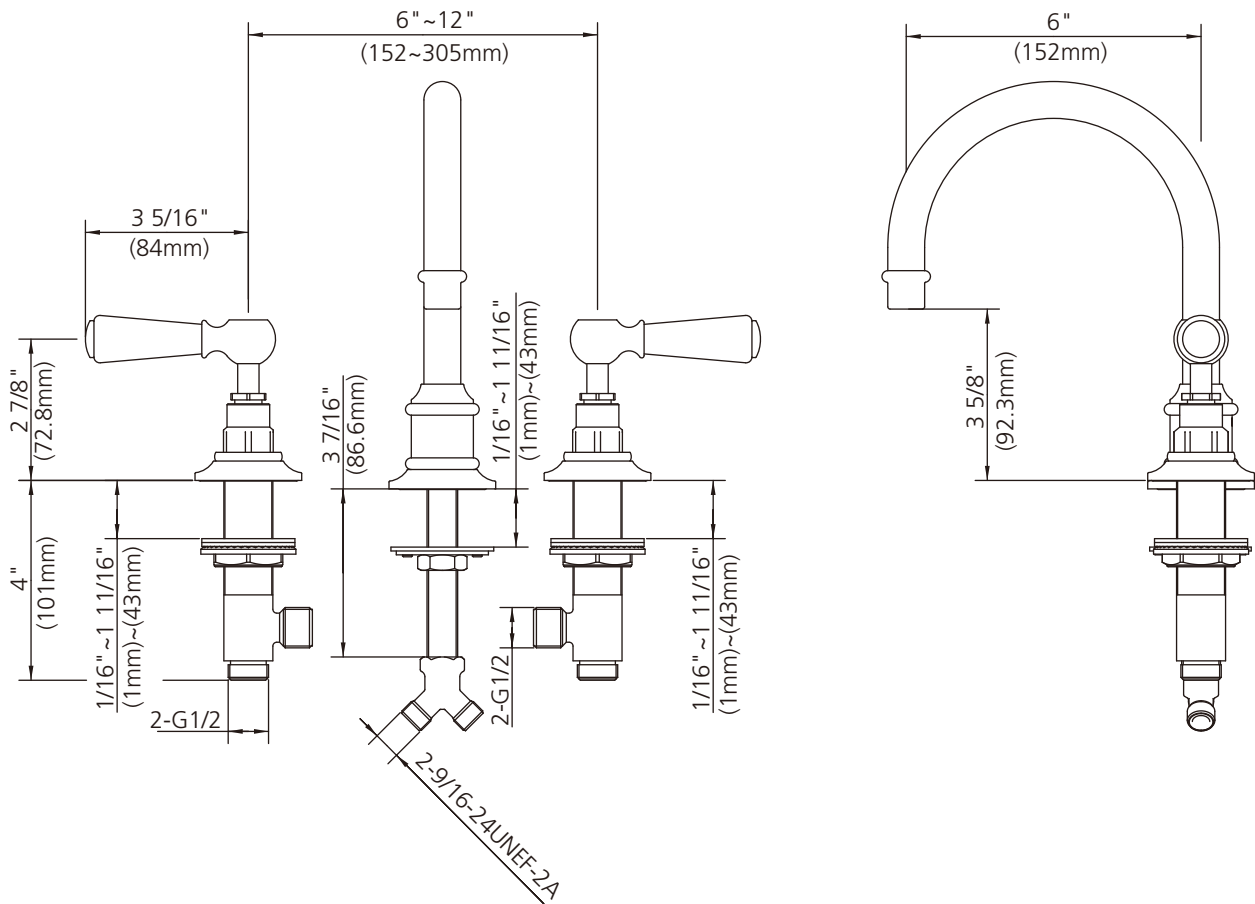
CB-1108 (BL1230)

BLACK LEVER TUBULAR 3-HOLE BASIN MIXER WITH CLICK-UP
WASTE

DIMENSIONAL DATA SHEET

DATE: 17 January 2014

No: FW1C6100



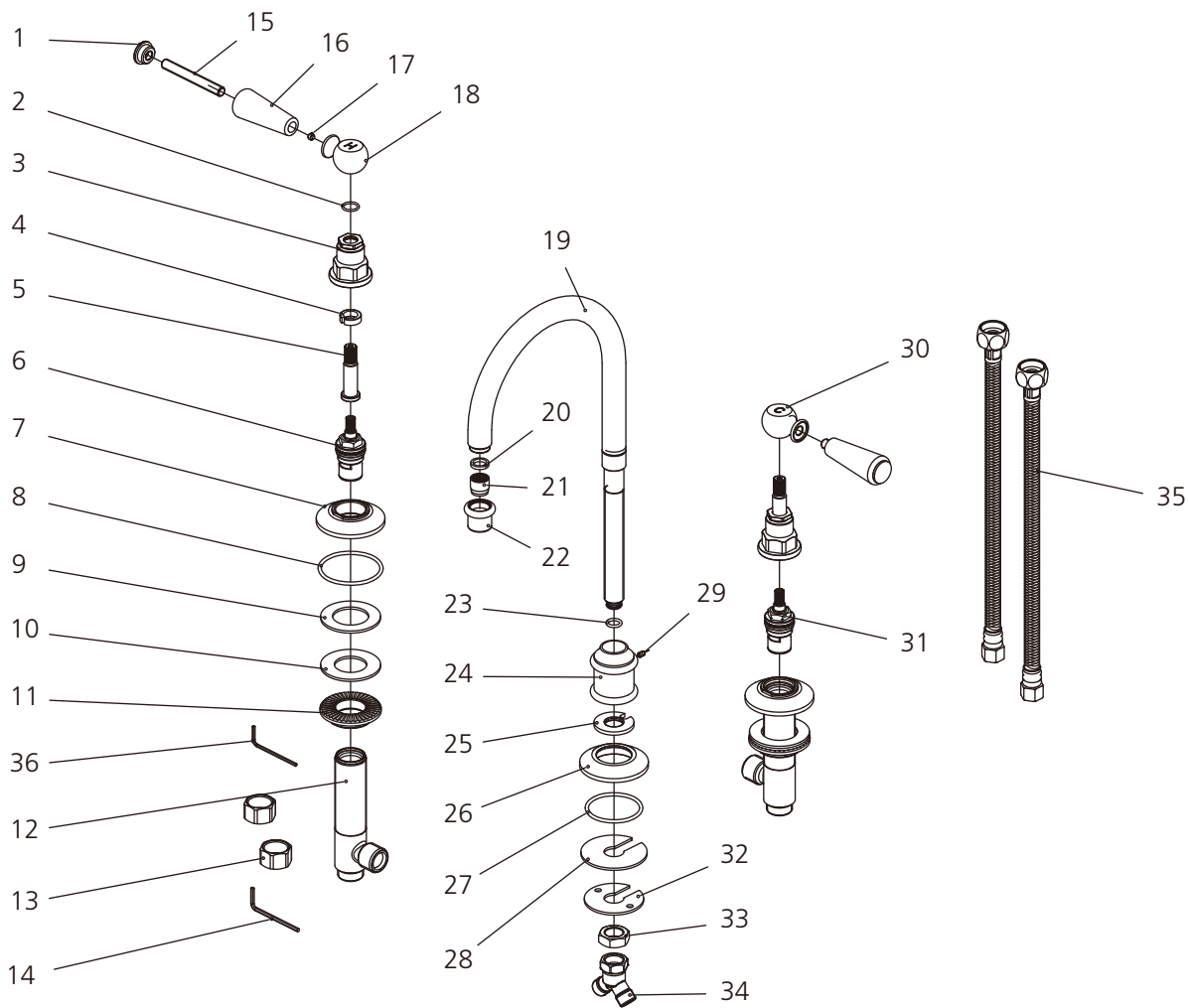
COPYRIGHT © LBIP LTD 2012. ALL RIGHTS RESERVED.

DIMENSIONS IN INCHES & MILLIMETRES

WHILST EVERY EFFORT IS MADE TO ENSURE THE ACCURACY OF THESE DATA SHEETS THEY ARE SUBJECT TO CHANGE WITHOUT NOTICE AS PART OF THE COMPANY'S PRODUCT DEVELOPMENT PROCESS

CB-1108 (BL1230)

BLACK LEVER TUBULAR 3-HOLE BASIN MIXER WITH CLICK-UP WASTE

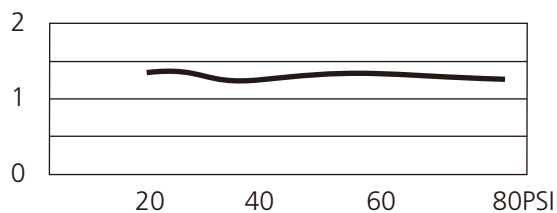


1	Lever cap (109376)	13	Coupling nut (504003)	25	Gasket (13797)
2	O-ring (48085)	14	Allen key (31000)	26	Escutcheon (71326)
3	Canopy (18220)	15	Screw (17094)	27	O-ring (004072N)
4	Clip (12242)	16	Lever (108924)	28	Washer (058094)
5	Stem extension (110461)	17	Set screw (75052)	29	Set screw (292562)
6	Cartridge (hot) (507175N)	18	Lever seat (205143H)	30	Lever seat (205143C)
7	Escutcheon (215486)	19	Tubular spout (139870W)	31	Cartridge (cold) (507176N)
8	O-ring (4627)	20	Oil-seal (010519N)	32	Washer (013006)
9	Oil-seal (10017)	21	Aerator insert (553661N)	33	Nut (009015)
10	Washer (13158)	22	Aerator housing (305803W)	34	Connector (015004W)
11	Nut (9834)	23	O-ring (004026N)	35	Flexible hose (105750W)
12	Side body (061893W)	24	Canopy (000085)	36	Allen key (031003)

Standards

IAPMO/cUPC Listed
Meets NSF 61-9
Meets A112.18.1

Flow Rate



Please note :

Final achievable flow rate is dependent on the outlets fitted, see relevant outlets (spouts, roses, sprays) for fully assembled product flow rate.